

5. LOW BATTERY FUNCTION

When the 9-volt battery is low, the door alarm horn will chirp once every 10 seconds—this means it is time to install a new battery. Battery life is approximately 1 year. Test your door alarm weekly by opening the door and allowing the alarm to sound.

WARRANTY AND REPAIRS

POOLGUARD is sold with a limited warranty to cover defects in parts and workmanship for one year from date of purchase. (Retain proof of purchase). If Poolguard exhibits a defect, please call our Customer Service department at 1-800-242-7163. Unauthorized returns will not be accepted. Proper repair is only ensured when the unit is returned to the manufacturer. Visit our website at www.poolguard.com to fill out your warranty registration information.

PBM INDUSTRIES, INC.

P.O. Box 658
NORTH VERNON, IN 47265
812-346-2648



PBM INDUSTRIES, INC.
MADE IN THE USA
REV. 02-15

SWIMMING POOL SAFETY TIPS

- **Supervise children at all times.**
- **Never permit swimming alone. Never leave a child alone, even to answer the telephone.**
- **Always remove the entire solar cover from a pool before swimming.**
- **Remember that alcohol and water safety do not mix.**
- **Have your pool area fenced and the gate locked to prevent unauthorized entry to the pool, and install a gate alarm.**
- **Lock and secure all doors in the house which permit easy access to the pool, and install a door alarm.**
- **Have a responsible adult teach swimming and water safety to your children.**
- **Maintain clean, clear water in the pool.**
- **Do not swim during electrical storms.**
- **Do not permit bottles, glass, or sharp objects to be used around the pool.**
- **Ask your pool dealer how you can improve your pool safety—they will be glad to assist you.**
- **Above all: remember that common sense, awareness, and caution will allow you to enjoy your pool.**

poolguard®
www.poolguard.com

6. INSTALLATION OF *OPTIONAL* SCREEN DOOR KIT

CONNECTING DOOR ALARM TO SENSOR SWITCHES

READ THE DOOR ALARM MANUAL FOR INSTALLATION ON ONE DOOR FIRST: THE SENSOR WIRES ARE PERMANENTLY CONNECTED TO THE DOOR ALARM. CONNECT BOTH SENSOR WIRES COMING FROM THE DOOR ALARM TO THE SENSOR SWITCH ON THE DOOR FRAME. THEN USE THE SUPPLIED JUMPER WIRES TO CONNECT TO THE SCREEN DOOR SENSOR SWITCH (SEE DIAGRAM BELOW). THE TWO SENSORS SHOULD BE HOOKED UP IN PARELLEL WITH EACH OTHER.

- THE PLASTIC COVERS ON THE SENSOR SWITCHES & SENSOR MAGNET MUST BE REMOVED BEFORE INSTALLATION
- SWITCHES GO ON THE FRAME BY THE DOOR
- MAGNETS GO ON THE DOOR ITSELF – SEE PICTURE IN MANUAL

EQUIPMENT NEEDED

- ONE DOOR ALARM AND 2 MOUNTING SCREWS
- ONE SET OF SENSOR SWITCH AND SENSOR MAGNET AND 4 SCREWS FOR DOOR FRAME & DOOR
- ONE SET OF SENSOR SWITCH AND SENSOR MAGNET, JUMPER WIRES, AND 4 SCREWS
– FOR SCREEN DOOR FRAME AND SCREEN DOOR

IF YOU HAVE ANY QUESTIONS CALL US AT 1-800-242-7163

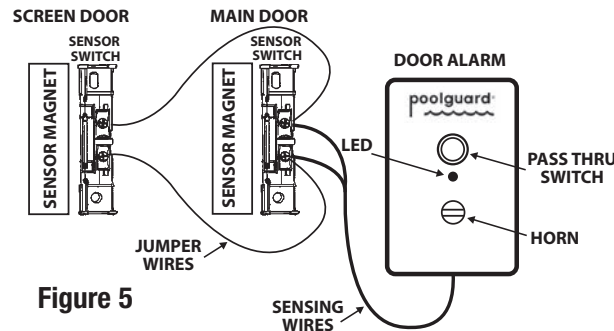


Figure 5

DOOR ALARM Installation Instructions

MODEL DAPT-2
MEETS UL 2017

SIGNALING

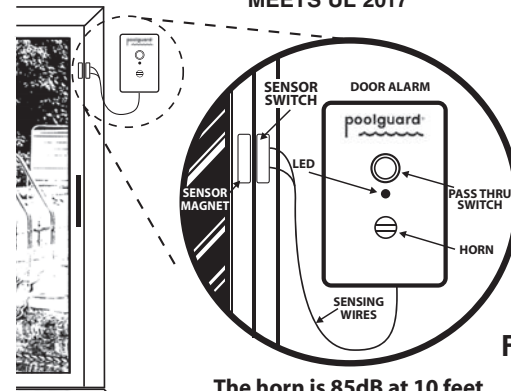


Figure 1

The horn is 85dB at 10 feet

IMPORTANT READ THOROUGHLY BEFORE USING ALARM

The product has been designed to aid in the detection of unwanted intrusions into unsupervised areas. POOLGUARD DAPT-2 IS A SAFETY ALARM SYSTEM AND NOT A LIFE SAVING DEVICE. It should be used in conjunction with the safety equipment currently in use and should not affect existing safety procedures.

1. INSTALLING THE 9V BATTERY (FIG. 2)

DAPT-2 Maximum Current Input = 19mA
9V dc alkaline battery, Energizer No. 522 or Duracell No. MN1604

- Remove the assembly screw from the back of the door alarm and remove the top cover. (See Figure 2)
- Pull down the battery spring and install the 9v battery (see figure 2).
NOTE: If the battery spring is not in the correct position under the battery, the alarm will not go back together.
- When the 9v battery is installed, the LED will flash once every 10 seconds. When the alarm sounds, the LED will flash once every second.
- Reassemble the door alarm with the assembly screw. NOTE: Once the battery is installed the alarm may sound accidentally until the sensors are connected properly.

2. INSTALLING POOLGUARD DOOR ALARM (FIGS. 1 & 2)
Indoor Use Only

Your Poolguard Door Alarm is designed to be installed within 12" of the sensor switch for the sensor wire connection. To mount the door alarm on wall next to door:

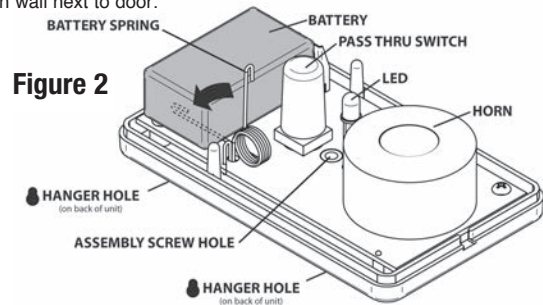


Figure 2

- Determine the best location. The door alarm must be installed at least 54" above the threshold of the door.
- With a pencil, mark 2 spots 2 1/2" apart vertically (up & down) where the alarm will be mounted. These 2 marks are where the 2 larger supplied screws will be inserted into the wall to hang the door alarm.
- Insert the 2 larger supplied screws into the wall on the 2 marks. Leave about 5/32" (not including the head of the screw) of the screw from the wall.
- Hang the door alarm on the mounted screws and pull downward until the screws are positioned in the small end of the hanger holes in the back of the alarm.
- If you purchased the **OPTIONAL** Screen Door Kit see section 6. (Figure 5)

3. INSTALLING DOOR SENSOR (FIG. 4)

- The Door Alarm comes with, one sensor switch and one sensor magnet; remove the covers from both of these parts by using your fingernail or small tool to unclip the cover from the bottom side and sliding it off the sensor.
- Each sensor has 2 holes for mounting (Note: Do not mount the sensors on the side of the door that is Hinged). The sensor magnet usually goes on the door and the sensor switch is usually mounted to the door frame.
- Metal framed doors may need a space between the sensors and the door using a small piece of wood or double sided foam tape.
- Install the Sensors Vertically (as shown in Figure 1) or Horizontally. Maximum space between sensors is 1+1/4". **IMPORTANT:** If you install the sensors Horizontally at the top of a SLIDING door, spacing between the sensors needs to be between 1" and 1+1/4".
- Loosen the two terminals on the sensor switch by loosening the screws then place either wire end coming from the door alarm between each of the terminals. It doesn't matter which wire goes to which terminal, Replace Plastic Covers.

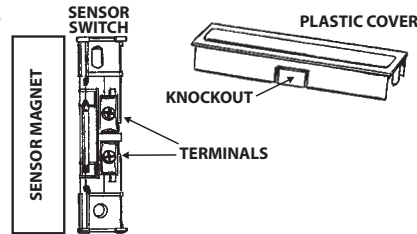
Note: If the cover for the sensor switch does not lock into place because of the sensor wires, remove the knockout from the side of the sensor switch cover. (See Figure 4)

4. OPERATING YOUR DOOR ALARM (FIG. 1)

The POOLGUARD DOOR ALARM uses two delay modes which allow the user to exit and enter the door without the alarm sounding. These two modes are explained below.

- FIRST DELAY MODE:** When the door is opened the alarm automatically goes into the first delay mode which gives you 7 seconds after the door is opened to push the pass thru switch. If the pass thru switch is not pushed within 7 seconds the alarm will sound with the door open or closed. To silence the alarm close the door then push the pass thru switch.
- SECOND DELAY MODE:** When the door is opened and the pass thru switch is pushed within 7 seconds, this puts the door alarm in the second delay mode which allows you 14 seconds to go through the door and close it. When the door is closed within 14 seconds, the alarm will automatically reset. If the door is not closed within 14 seconds, the alarm will sound.

Figure 4



NOTE: If the alarm sounds for approximately 5 minutes and the door is still open. The alarm horn will start to pulsate, 5 seconds ON and 5 seconds OFF. The alarm will continue to do this until an adult closes the door and pushes the PASS THRU switch on the door alarm to silence the alarm. If the alarm sounds for approximately 5 minutes and the door is closed, the alarm will reset.

poolguard®



IN GROUND POOL ALARM WITH REMOTE RECEIVER

"SAFETY BUOY"
ABOVE GROUND POOL ALARM

GATE ALARM

Poolguard's
Family of Products
Helps Protect Your Family!

www.poolguard.com